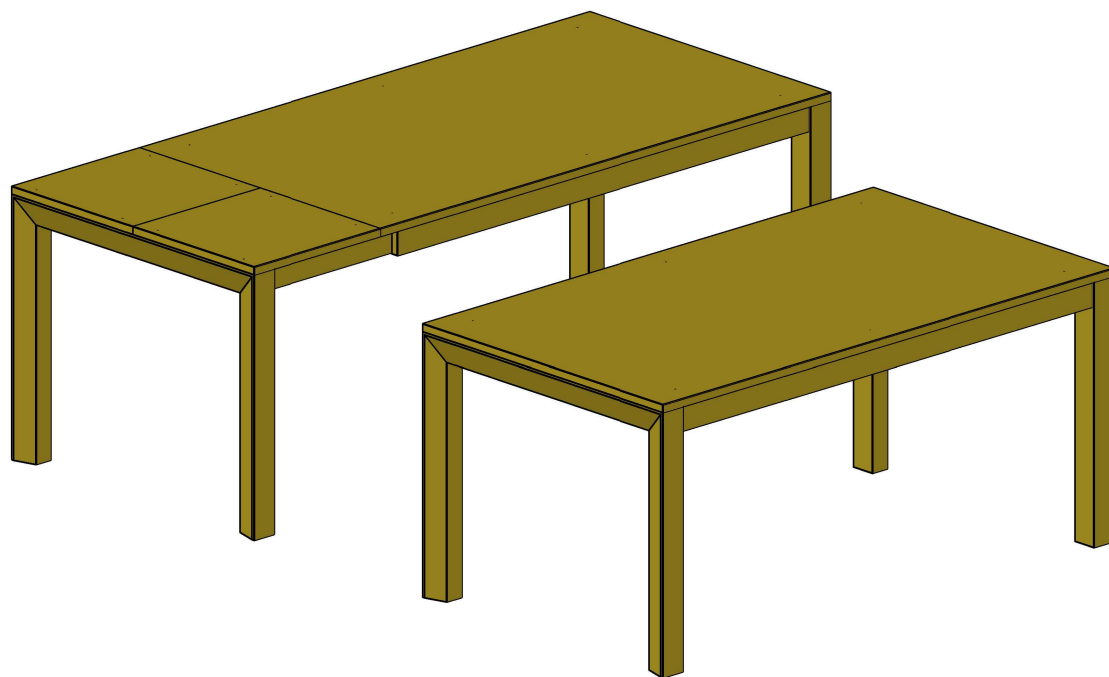







Assembly instruction for dining table



List of fittings for table

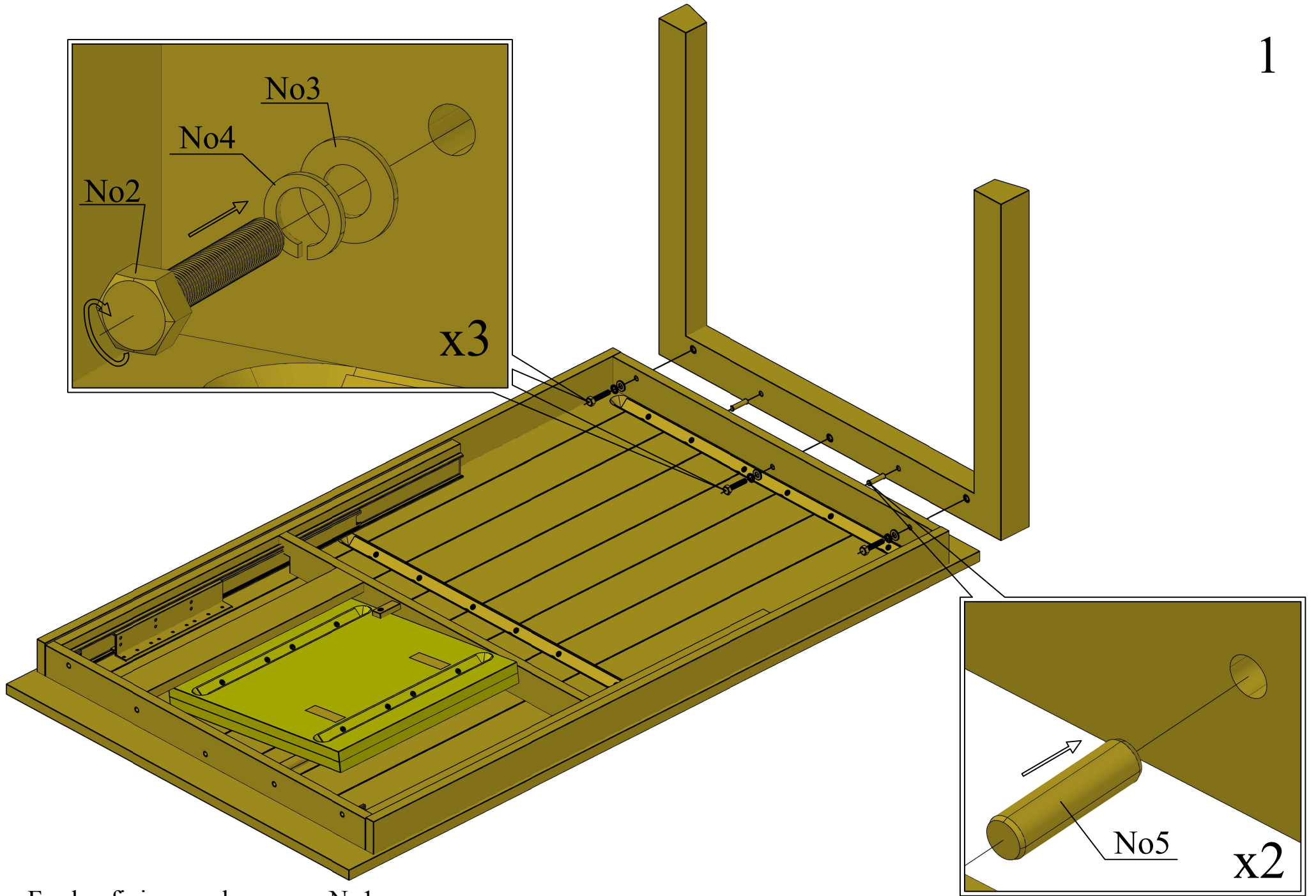
No.	Fittings	Picture	Qty.
1	Key screw		1
2	Screw		6
3	Spacer		6
4	Spring spacer		6
5	Wooden dowel		4



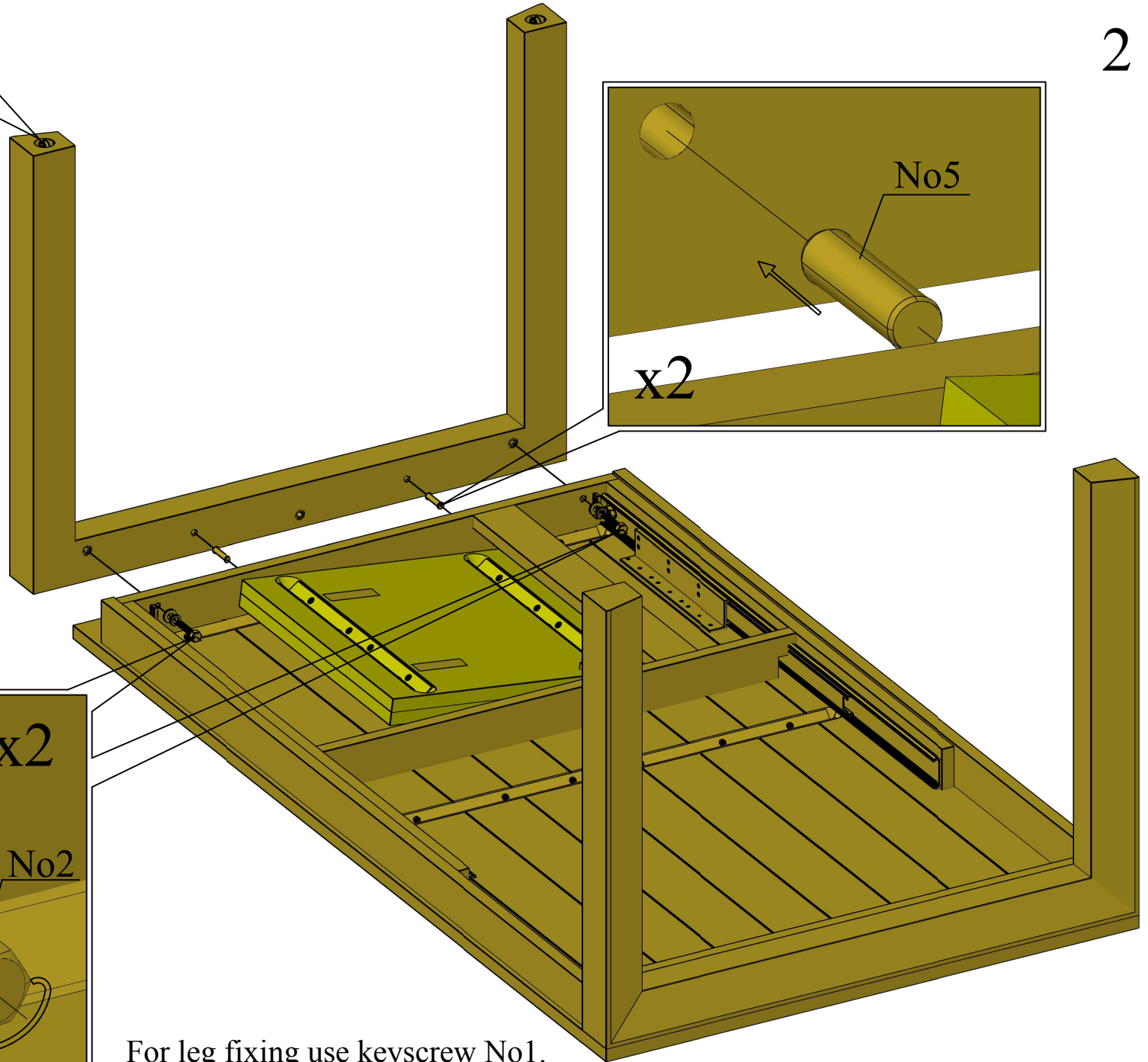
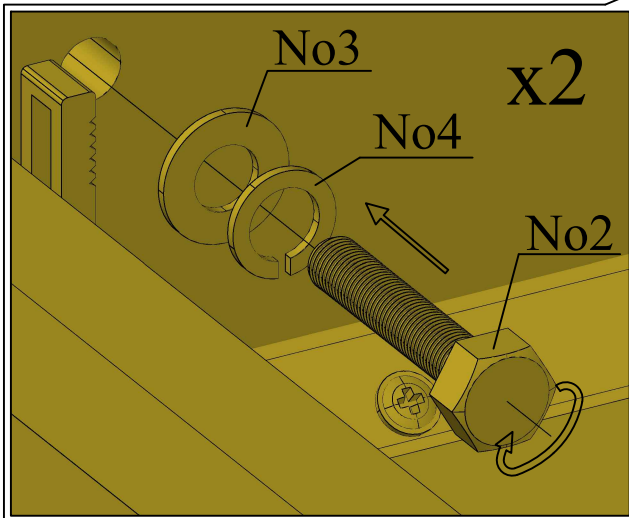
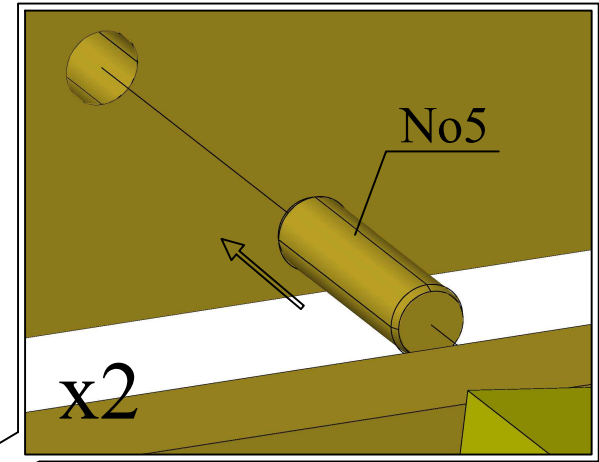
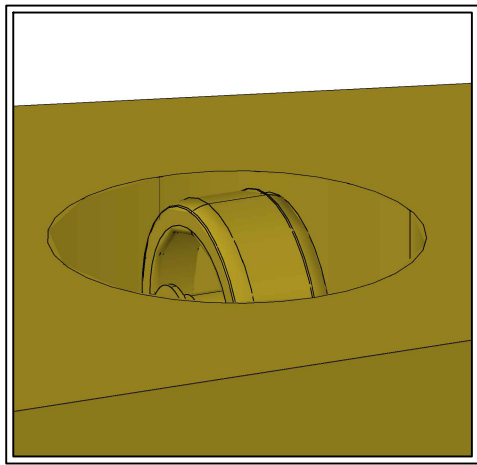
x 2

The table should be assembled by two people.

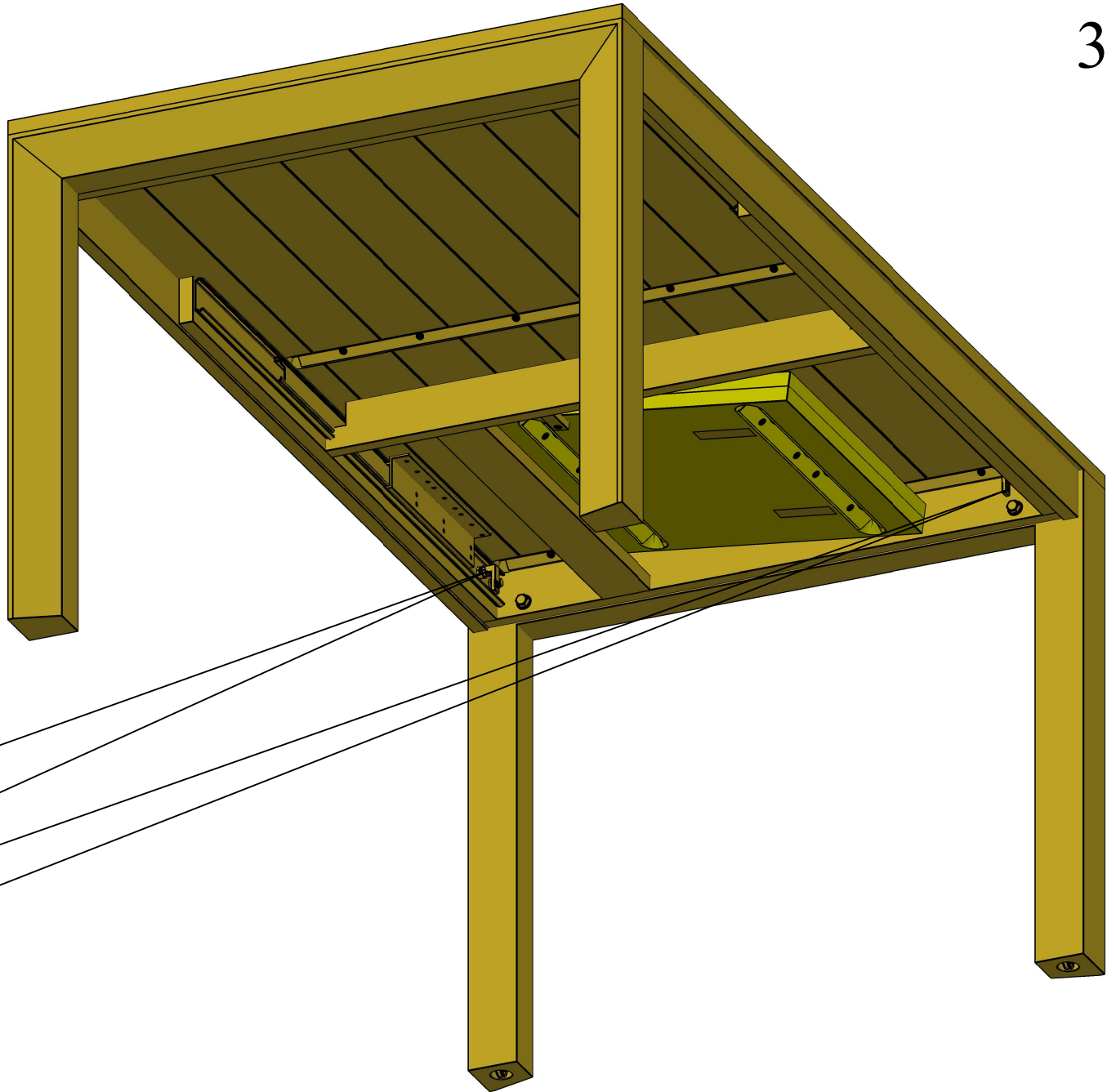
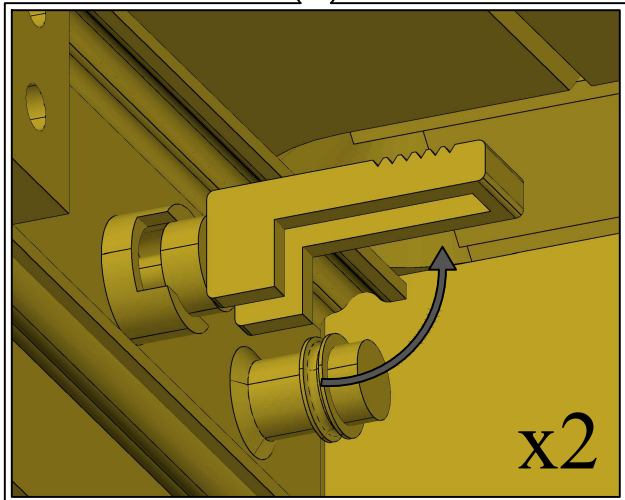
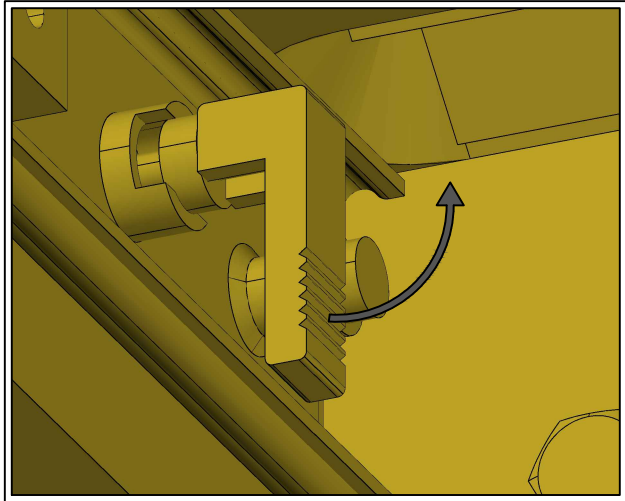
1

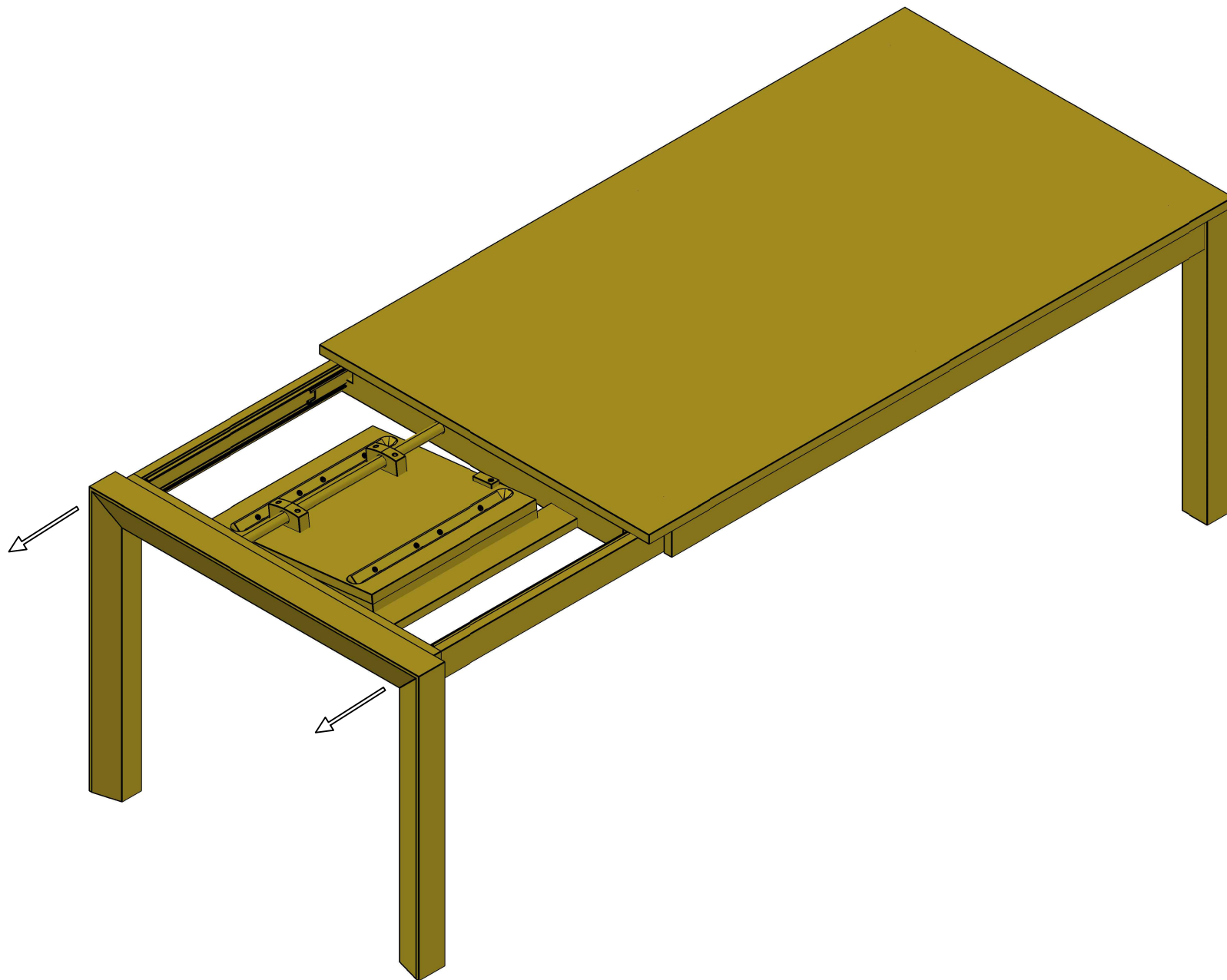


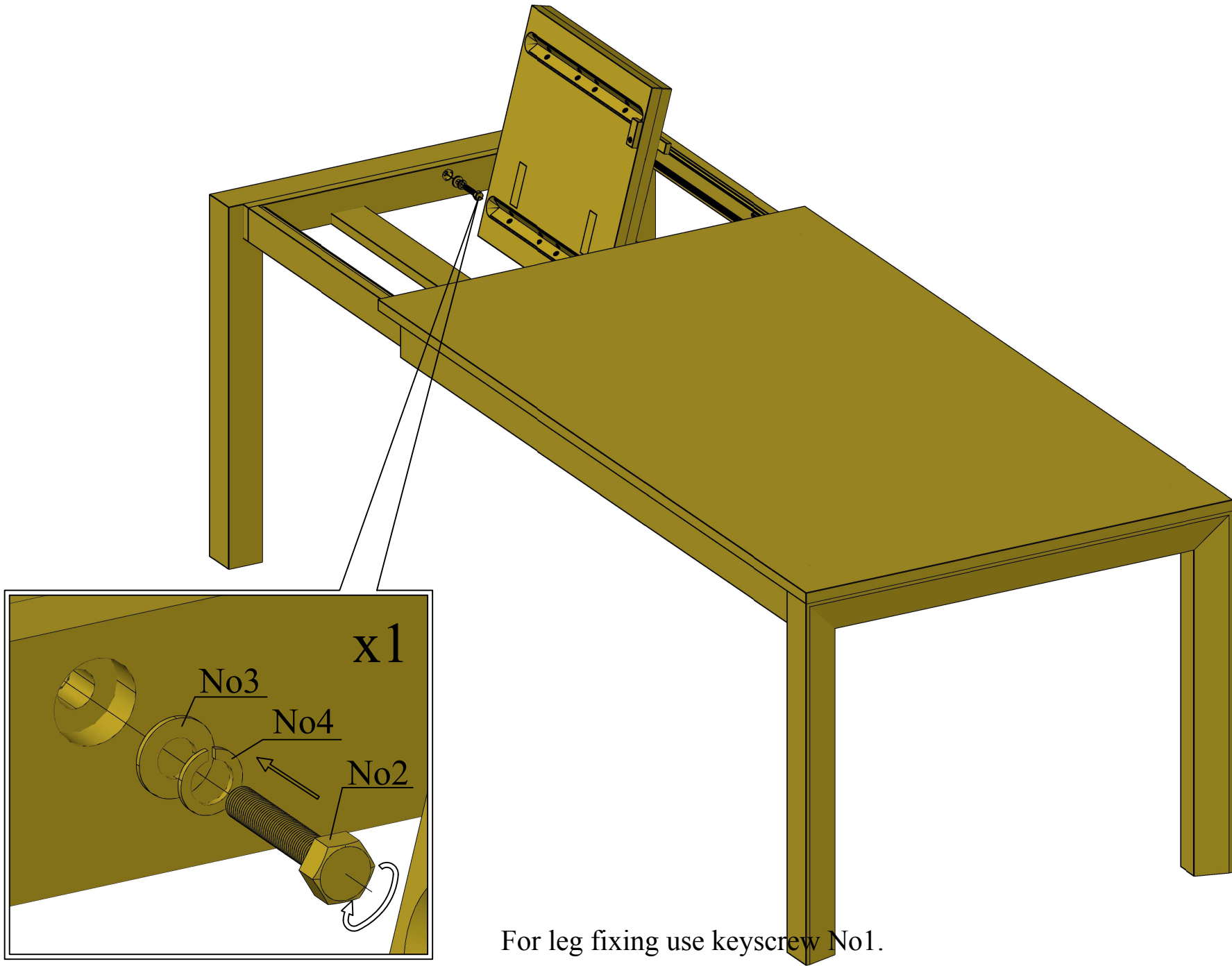
For leg fixing use keyscrew No1.



For leg fixing use keyscrew No1.







For leg fixing use keyscrew No1.

